

Distributor monotube 444-445

Description

Thermostatic four way valves, one pipe.
Flow and return in only one radiator connection point, together with an external valve. Ideal for towel radiators or decorative vertical radiators.

Versions

Alimentation	Horizontal, Vertical
Connection	Male M22, 3/4E, 1/2

Benefits

- Isolation function that allows the radiator to be taken off.
- Marking "0.5" on the body indicates the alpha coefficient of alimentation of radiator is 50%.
- Thermostatic mechanism (Kv 0,95)
- Thermostatic insert can be removed without removing the valve nor draining off the installation (with COMAP réf. 5831)

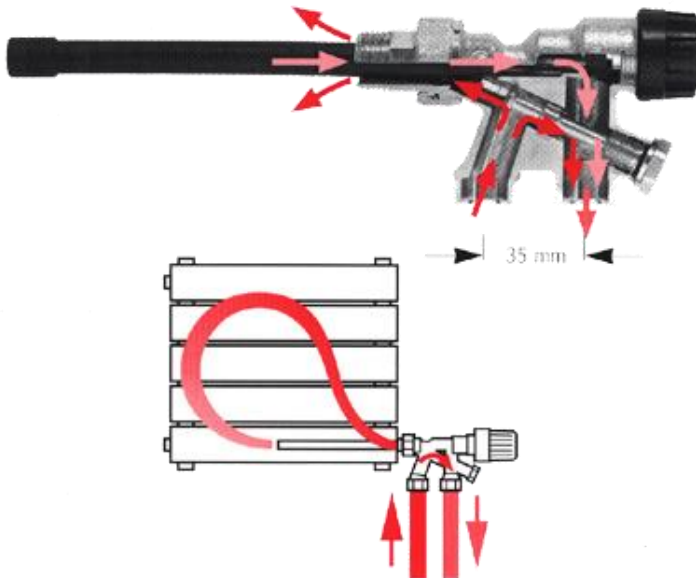


Conception



1. Cap black
2. Isolated, non-ejectable needle
3. 4-way thermostatic body

Principle



For the 4 way thermostatic valves, it is advisable to use the ref 4439 to improve the irrigation of the radiator. The use of 4 way thermostatic valves can affect the performance of the radiator.

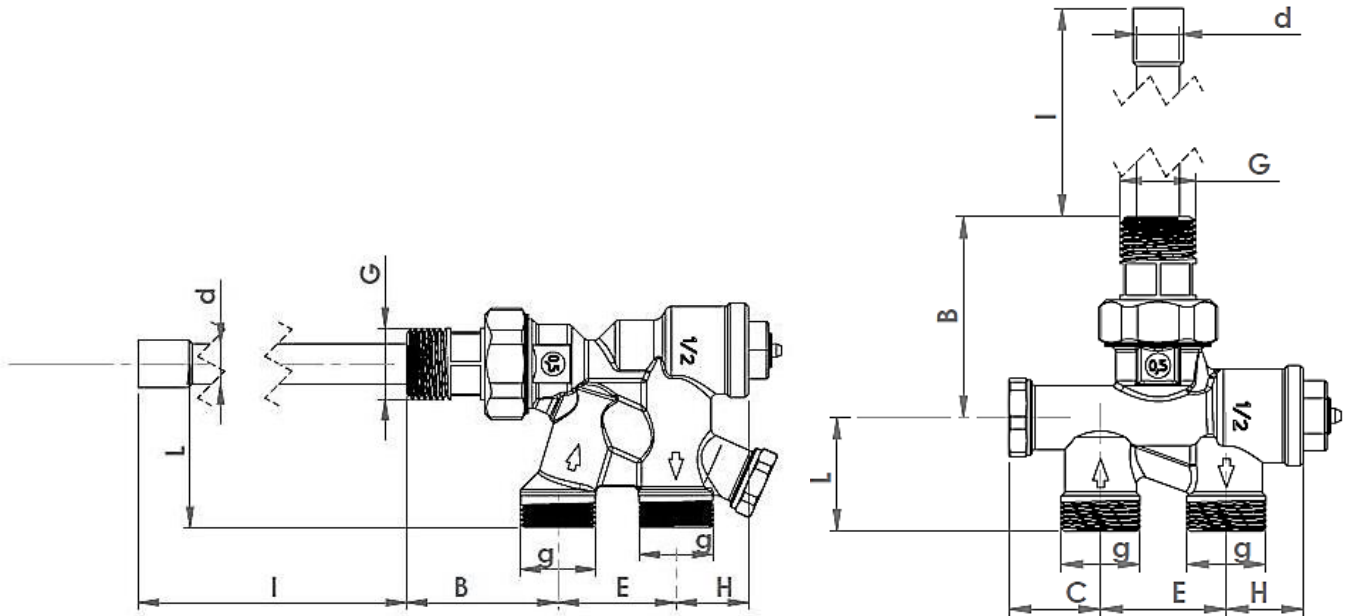
Materials

Body: Brass
Seals: Ethylene-Propylene
TRV Mechanism
Axe: Stainless steel
Valve: EPDM
Cap: ABS

Specifications

Maximum pressure of use: 10 bar
Maximum differential pressure: 0.6 bar
Maximum water temperature: 110°C

Dimensions





444-444A

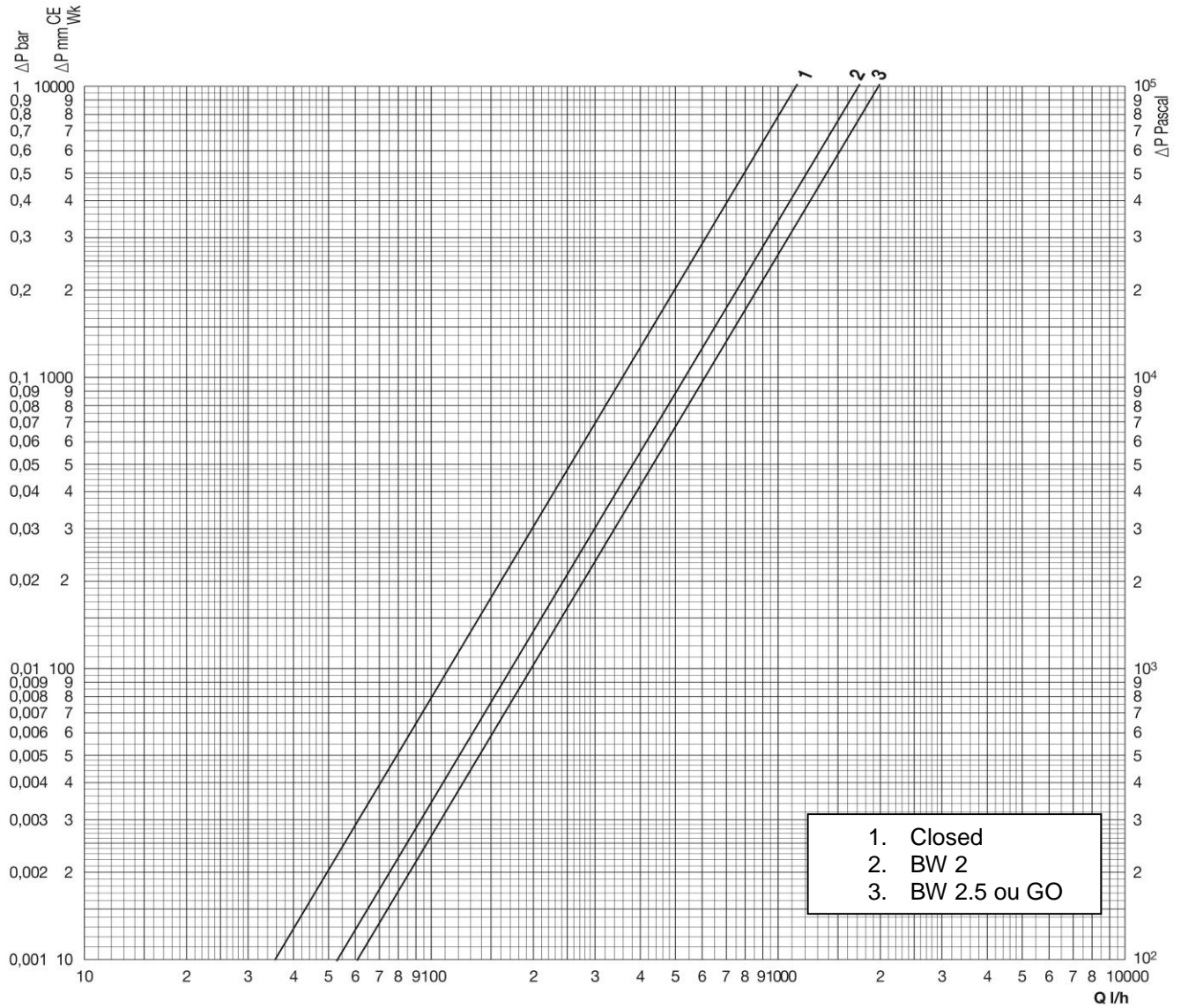
445

Model	Part	G	g	d	I	E	H	B	L	C
444	444522	1/2"	M22 x 1.5	12	118	35	21.5	46	48	25
444A	444604	1/2"	1/2"							
445	445422	1/2"	M22 x 1.5	12	118	50	22	56	32	25
445	445406	1/2"	3/4"E					39		

Product line

Photo	Alimentation	Radiator connection	Thermostatic head	Connection	Kv open (m3/h à BP 2k)	Kv closed (m3/h à BP 2k)	Codes
	Horizontal	1/2	M28	1/2	2	1.15	444522
		Male M22			2	1.15	444604
	Vertical	1/2	M28	1/2	2	1.15	445422
		Male 3/4"E	M30		2	1.15	445406

Hydraulic curves



Reference	α	Kv GO	Kv closed
444/445 + Senso	0.5	2	1.15

Reference	BW	α	Kv
444/445 +505/506	2	0.4	1.75
	2,5	0.5	2
	Valve closed		1.15

Length amounts in meter of copper

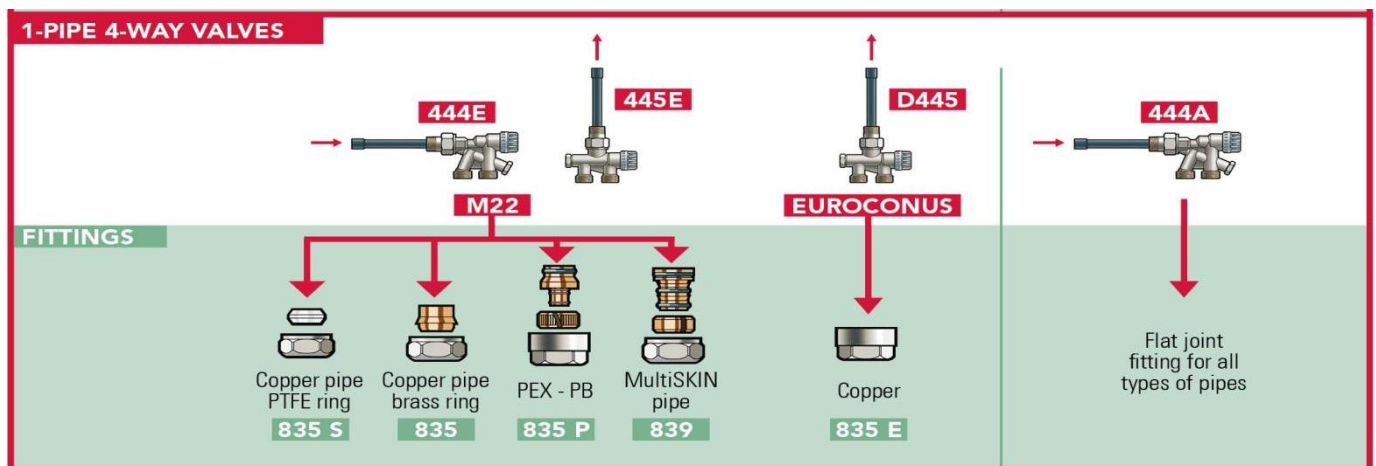
One-pipe with thermostatic head

Bw	10x12	12x14	13x15	14x16	16x18
2	1.8	4.7	7.2	10.4	21.5
2.5	1.4	3.6	5.5	8	16.5
Valve closed	4.2	11	16.5	25	50

One-pipe, thermostatic body and manual handwheel

Kv	10x12	12x14	13x15	14x16	16x18
GO	1.4	3.6	5.5	8	16.5
Closed	4.2	11	16.5	25	50

4-way valve connection



Accessories

Photo	Designation	Dimensions	Codes
	Setting key 334		550334
	Demobloc, maintenance tool for Comap thermostatic valves 5831	M28 & M30	P120001001
	Extended lance for lance valves	L=300 diam 12	443900
	Injection lance	L=118 diam 12	VSB20C00
	Thermostatic head Senso	M28 M30	R100000 R100100
	Kit colors Mysenso	Stainless Chrome Black Zebre Tangerine Purple Citrus Red ming Pearl Mauve Skyblue Chocolate Anthracite	R100080 R100081 R100082 R100083 R100084 R100085 R100086 R100087 R100088 R100089 R100090 R100091 R100092
	Manual handwhell 506	M28-M30	L140001001
	Insert for injection lance L482G	1/2	VPD00B33

	Olive compression fitting M22 835	10	835410
		14	835414
		15	835415
		16	835416
		18	835418
	Mechanical fitting for PEX pipe 3/4"E 835P	16x1.5	835561
		20x2	835601
	Mechanical fitting for MultiSKIN pipe, threaded, nickel plated 839	M22 -14x2	839514
		M22 -14x2	839516
		M22 -14x2	839418
		M22 -14x2	839420
		1/2"-16x2	1C2071001
	Compression fittings M22 835S	12	835712
		15	835715
	Compression fittings for copper 3/4E nickel plated 835E	12	835912
		14	835914
		15	835915
		16	8359161
	Reinforcing insert for annealed copper 9216	8	9216008
		10	9216010
		12	9216012
		14	9216014
		16	9216016