

**Thermostatic valve Variocon**



**Description**

Central point thermostatic valve for two pipe installation. Pipe connections using 3/4" euro cone for connecting to copper, mild steel, stainless steel, plastic and multilayer pipes in conjunction with compression adapters.

**Versions**

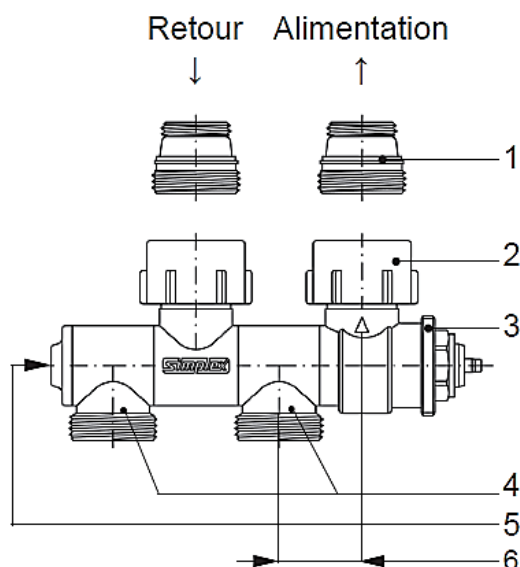
<b>Form</b>	Orientable
<b>Connection</b>	Right or left/ wall or floor
<b>Radiator connection</b>	Nipple (radiator F1/2") or cone (radiator M3/4")
<b>Pipe connection</b>	3/4" eurocone



**Benefits**

- Orientable (straight or angle)
- Right or left installation
- The drain is easy with a nipple connection
- Optically appealing – with its slim shape, the connection is hardly visible under the radiator
- The bypass works when the radiator is completely closed.
- Self-sealing

## Conception



1. Connection nipple (flat seal) for radiators with 1/2" female thread or cone insert for radiators with 3/4" male thread (push into connection to radiator)
2. Collar nut 3/4"
3. Thermostatic connexion M30
4. Swivelling connection elements 3/4" euro cone
5. Closing spindle supply line (allen key 4 mm)
6. Offset: 25 mm


## Materials

Body : Forged brass, Nickel plated  
 Cap nuts : Hot stamped brass, Nickel plated  
 Nipple : Brass or cone parts to hydrolysis. PA  
 Shut-off spindles: Brass  
 Side plugs : Brass, Nickel plated  
 Sealing elements: EPDM

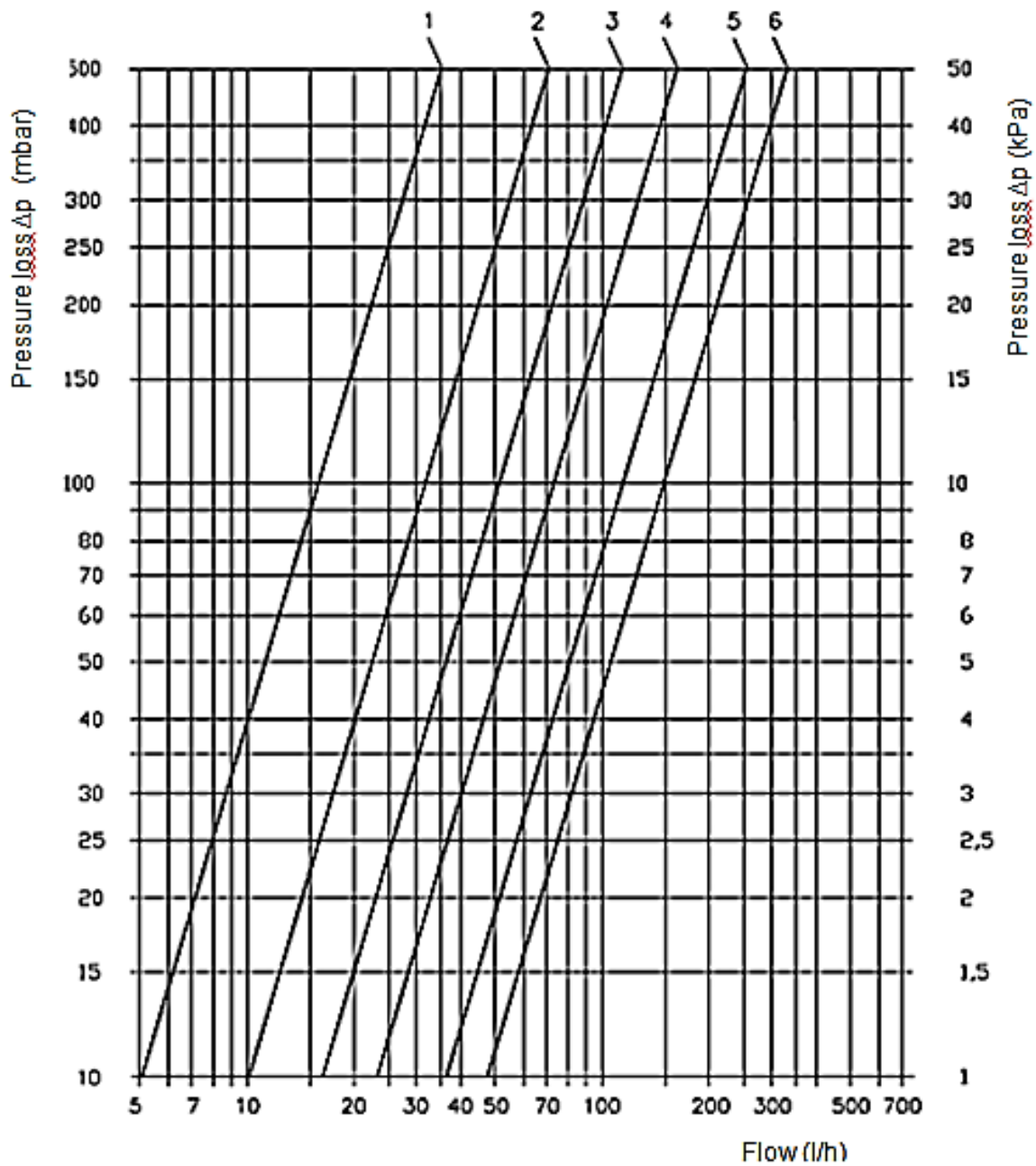
## Specifications

Hot water heating systems  
 Max. pressure 10 bar  
 Differential pressure. 0.6bar  
 Max. temperature 110°C continuous operating temperature/ 130°C short-term

**Product line**

Photo	Valve connection	Pipe connection	Radiator connection	Center to center	Codes
	M30x1.5	3/4" Eurocone	F 1/2"	50	F12020COM
	M30x1.5	3/4" Eurocone	F 3/4"	50	F12021COM

**Hydraulic curve**



Presetting	Deviation setting			Value kvs
	1*K	2*K	3*K	
	Value kv m3/h			
	1.0	2.0	3.0	
6	0.25	0.47	0.63	1.00
5	0.22	0.36	0.41	0.46
4	0.17	0.23	0.24	0.25
3	0.14	0.16	0.16	0.17
2	0.09	0.10	0.10	0.10
1	0.05	0.05	0.05	0.05



## Installation

- Remove the blind cap. Use allen key 4mm to turn spindels (4 &6) to the right until end
- Draining
- Close the valve
- Automatically opens a valve to drain water. By removing the hose connection drain process is stopped.

## Presetting

- Take presetting key
- Set the Kv values with the preset table (turning the handwheel)
- Adjust the position using the handwheel markings.
- After the installation, check that the insert is fixedly mounted

## Accessories

Photo	Designation	Code
	<p>Thermostatic head Senso M30</p>	<p>R100100</p>
	<p>Color customization, thermostatic head Senso</p>	<p>Stainless R100080            Chrome R100081            Black R100082            Zebra R100083            Tangerine R100084            Purple R100085            Citrus R100086            Red Ming R100087            Pearl R100088            Mauve R100089            Skyblue R100090            Chocolate R100091            Anthracite R100092</p>

