



TURBOSKIN

DESCRIPTION

TurboSKIN are compression fittings for Multilayer pipes.

Product Features

- Compression fittings in brass from 14 to 32mm.
- High quality EPDM O-ring

BENEFITS

- **EASY TO USE:** No specific tools are needed - only regular spanners.
- **VERSATILE:** Suitable for all repairs.

APPLICATION

Compression fittings are demountable and, therefore, cannot be installed in structural elements (e.g. embedded in a wall or a floor).

Compression fittings can only be used for apparent applications or must be accessible. They are suitable for new installations or renovations.

They should only be used with Comap Multilayer pipes.

Suitable applications

	Sanitary	Gas	Heating	Cooling	Underfloor heating
TurboSKIN	X		X	X	X

	Applications
TurboSKIN	Chilled applications: 5°C/10 bar Heating applications: 95°C/10bar Sanitary applications: 95°C/10 bar Water or 50% water or 50% glycol



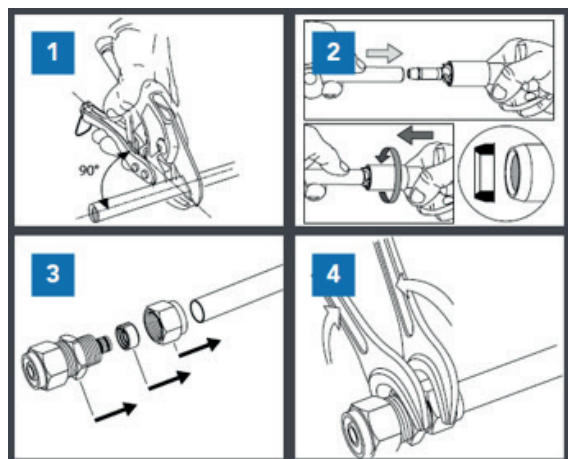
1. EPDM O-ring
2. 'A' mark – a Comap quality guarantee
3. CW617N high quality brass



TURBOSKIN



INSTALLATION



1. Cut the pipe at a 90° angle using a pipe cutter.
2. Calibrate the pipe using the Comap calibrating tool.
3. Mount the nut and then the olive on the pipe. Slide the fitting body into the pipe until the stop to ensure tightening.
4. Screw the nut, binding it tightly without twisting the pipe.

Technical features

Average torque advised:
 30Nm between Ø 14mm and Ø 26mm
 40Nm > Ø 26mm

Multilayer pipes must comply with the dimensions given in the tables below.

TurboSKIN Multilayer pipe						
EXternal (mm)	14	16	18	20	26	32
Thickness (mm)	2	2	2	2	2	3
Internal (mm)	10	12	14	16	20	26

WARRANTY & CERTIFICATIONS

Comap TurboSKIN fittings are free from material or workmanship defects for a 10 years period as from the date of sale.

This warranty is subject to conditions. To have the details of our warranty conditions please ask your Comap representative.